

P3 NGX Choke Valve

What's new

Wears less. Runs longer.

Lower inlet velocities and improved flow management protect areas where erosion hurts most.

Holds shut-in better.

Drives upstream flow away from the seat, extending shut-in capability between service intervals.

Faster Serviceability.

Fully pinned canister-style insert pulls cleanly from the body. Less time in the field, more time on production.

Faster Closing Speed

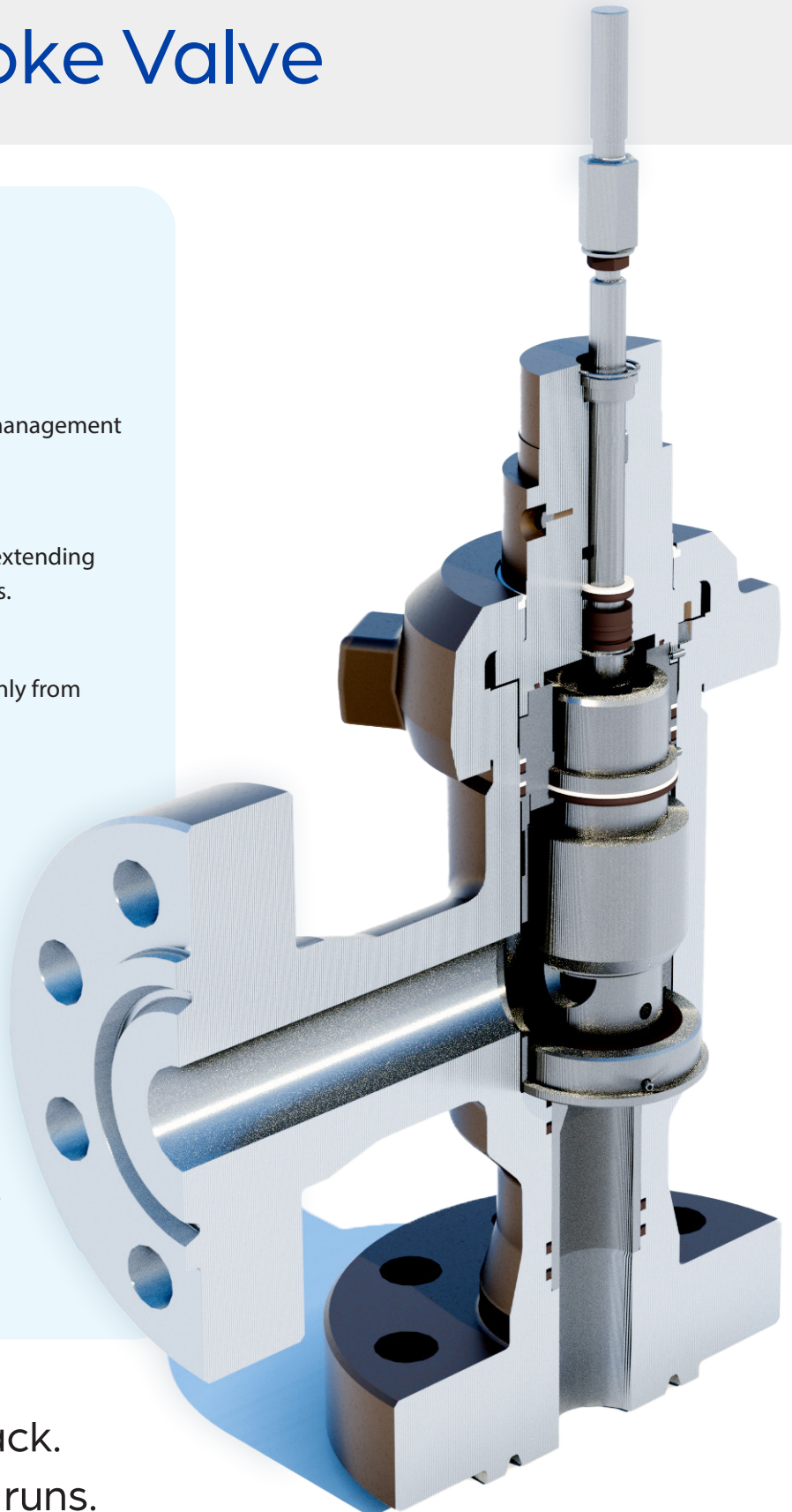
Target 30-second cycle time with 24 VDC linear electric actuation—designed for fast-acting control where it matters.

Secondary Stem Seal

Premium CSS stem seal along with a new secondary seal.

Full length outlet wear sleeve

Verified to ensure turbulent flow dissipates within the Tungsten Carbide wear sleeve.



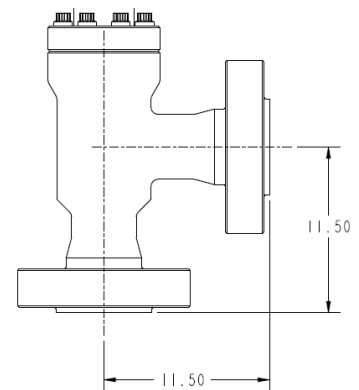
Built from your feedback.
Engineered for longer runs.

Built from your feedback. Engineered for longer runs.

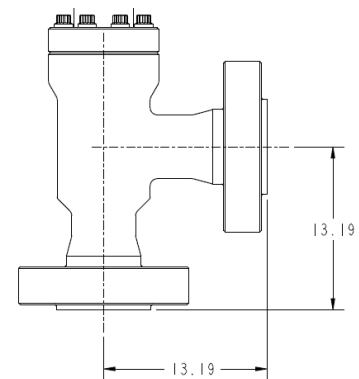
Specifications

Sizes	3" and 4"
End connections	Any combination of 3" or 4" — RTJ or RF
Pressure classes	600 / 1500 / 2500, standard. Other pressure classes available.
Max Cv	76
Closure	HUN (Standard) or Bolted Bonnet (Option)
Standard actuation	Linear electric 24VDC (Bettis CM32 or Calscan BA-15L)
Optional actuation	Pneumatic, hydraulic, Fisher
Trim	Standard 4-port, 17-4 SS or Tungsten Carbide
Stem seal	Premium CSS with secondary backup — reduced fugitive emissions
Standards	API 6A PSL-2, ISO 10423

Standard 3" Configurations	
Flanges	I/O
3" 2500 RTJ x 3" 2500 RTJ	11.50"
3" 2500 RTJ x 3" 600 RF	11.50"
3" 2500 RTJ x 4" 600 RF	11.50"
3" 1500 RTJ x 3" 1500 RTJ	11.50"



Standard 4" Configurations	
Flanges	I/O
4" 2500 RTJ x 4" 2500 RTJ	13.19"
4" 2500 RTJ x 4" 600 RF	13.19"
4" 1500 RTJ x 4" 1500 RTJ	13.19"
4" 1500 RTJ x 4" 600 RF	13.19"



Same trusted P3 platform. Smarter where it counts.

The improvements that matter most—without paying for a body size you don't need.

Download the spec sheet. Talk to sales. Size your valve at SizeFlo.com.



Scan to learn more.